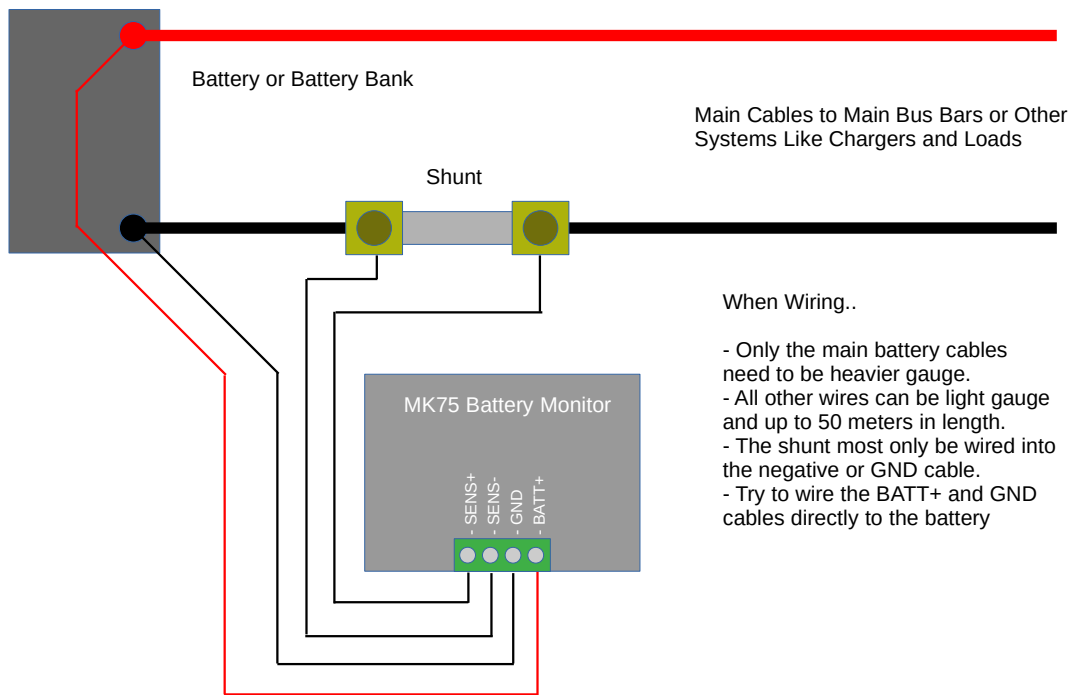


Battery Monitor Wiring Diagram



When Wiring..

- Only the main battery cables need to be heavier gauge.
- All other wires can be light gauge and up to 50 meters in length.
- The shunt must only be wired into the negative or GND cable.
- Try to wire the BATT+ and GND cables directly to the battery